



LEFROY BROOKS

1 8 2 8 T R O U T M A N S T R E E T
R I D G E W O O D N E W Y O R K N Y 1 1 3 8 5 U S A
T : + 1 (7 1 8) 3 0 2 5 2 9 2 F : + 1 (7 1 8) 3 0 2 4 1 7 7

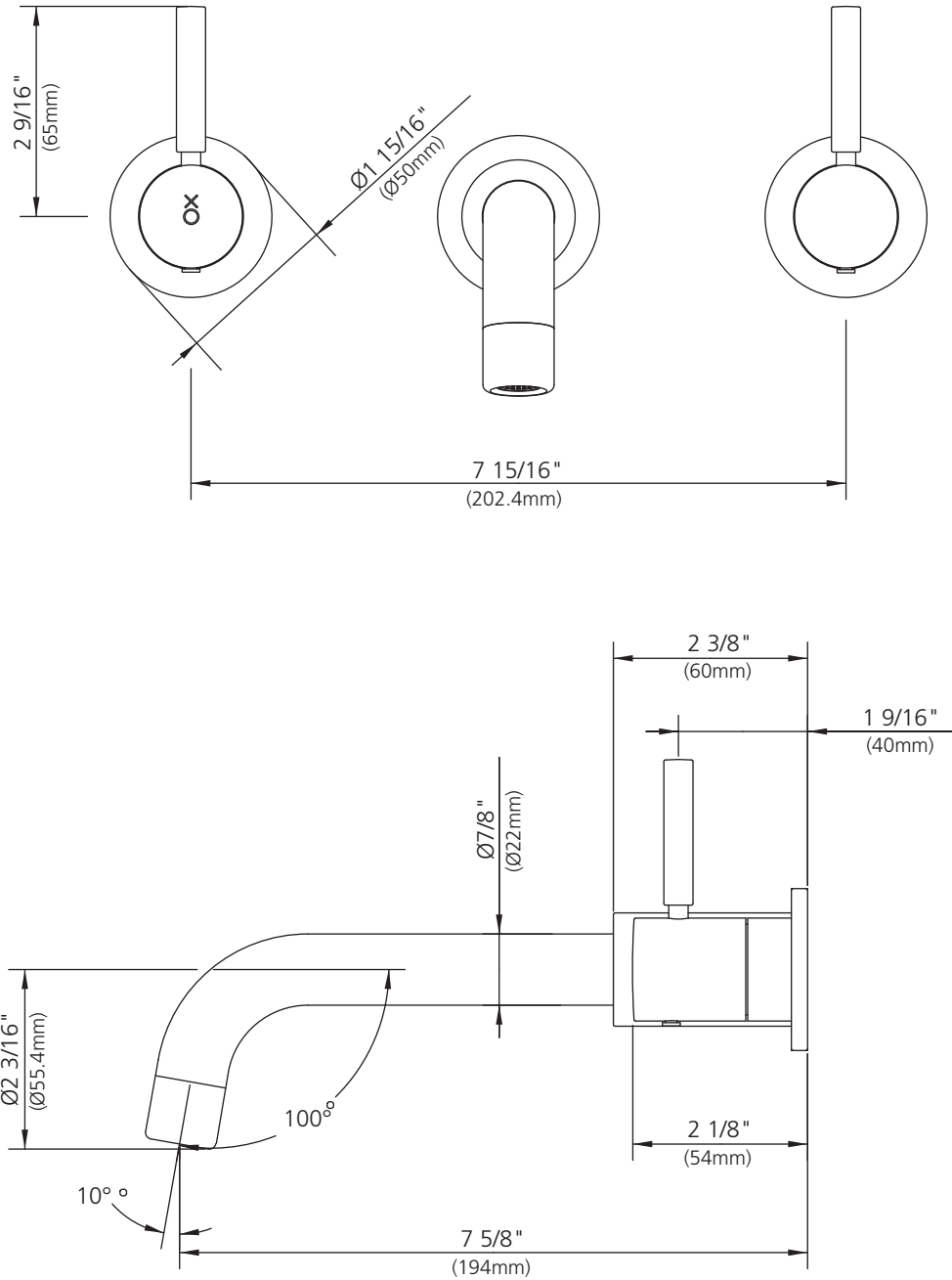
X1-1030

ZU 3-HOLE WALL BASIN MIXER TRIM ONLY, TO SUIT R1-4016 ROUGH

DIMENSIONAL DATA SHEET

DATE: 3 July 2012

No: A66F101W



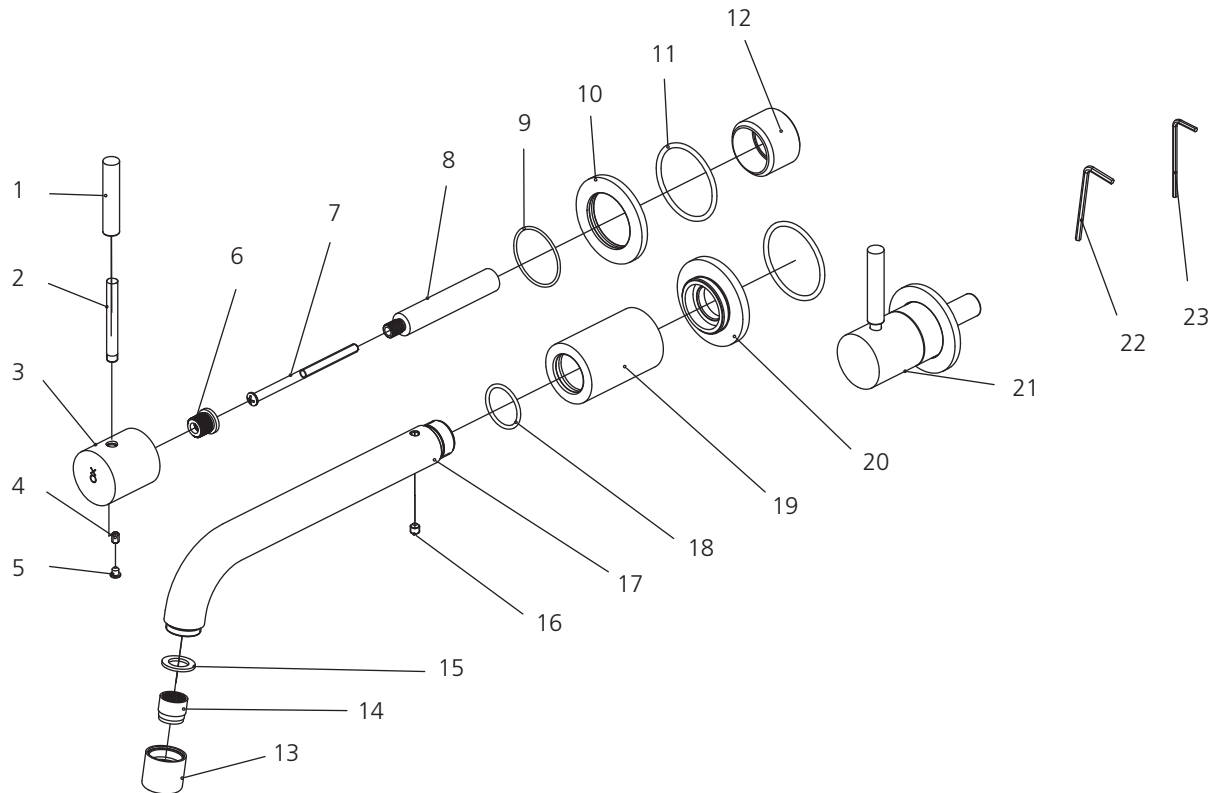
COPYRIGHT © LBIF LTD 2012. ALL RIGHTS RESERVED.

DIMENSIONS IN INCHES & MILLIMETRES

WHILST EVERY EFFORT IS MADE TO ENSURE THE ACCURACY OF THESE DATA SHEETS THEY ARE SUBJECT TO CHANGE WITHOUT NOTICE AS PART OF THE COMPANY'S PRODUCT DEVELOPMENT PROCESS

X1-1030

ZU 3-HOLE WALL BASIN MIXER TRIM ONLY, TO SUIT R1-4016 ROUGH



1	Handle sleeve (126129)	9	O-ring (072063)	17	Spout assembly (139646W)
2	Handle stem (108926)	10	Escutcheon (019352)	18	O-ring (004007)
3	Handle seat (215502-50)	11	O-ring (004009N)	19	Canopy (018965)
4	Set screw (292562)	12	Sleeve (041825)	20	Escutcheon (071271)
5	Plug (028008)	13	Aerator housing (305779N-54)	21	Handle seat (215502)
6	Adaptor (205469)	14	Aerator insert (553661N)	22	Allen key (031000)
7	Screw (008488)	15	Oil-seal (010805N)	23	Allen key (031003)
8	Stem extension (110463)	16	Screw (008198)		

Standards

IAPMO/cUPC Listed
Meets NSF 61-9
Meets A112.18.1